

ROBUS®

OUTDOOR

REMY LED FLOOD LIGHT

10W, 20W, 30W, 50W, IP65



PRODUCT INFORMATION DOCUMENT

FEATURES

- Pre-drilled, angled mounting bracket for fast and simple installation
- No warm up or cool down period required by LED
- Suitable for switching by external PIR, Microwave or Photocell
- Manual override function on PIR
- 600mm arm accessory for use with 10W, 20W and 30W allows projected illumination for signage and other display purposes

CONSTRUCTION

- Moulded polycarbonate bezel
- Tempered glass frosted diffuser
- Die cast aluminium body (10W is all polycarbonate)
- Galvanised mounting bracket
- Stainless steel external fixings



WARRANTY



LUMINAIRE LIFETIME



LUMENS PER W



IK RATING



IP RATING



OPERATING VOLTAGE



BEAM ANGLE



DIMMING



CCT



SAFETY CLASS

Product Code:	RRE1030-04 RRE1040-04 RRE1040-01 RRE1030P-04 RRE1040P-04 RRE1040P-01	RRE2030-04 RRE2040-04 RRE2040-01 RRE2040P-04 RRE2040P-01	RRE3030-04 RRE3040-04 RRE3040-01 RRE3040P-04 RRE3040P-01	RRE5030-04 RRE5040-04 RRE5040-01
Comparable to:	20W Metal Halide	35W Metal Halide	50W Metal Halide	50W Metal Halide
Total Power (W):	9.7/9.6	19.7/19.6	28.9/28.7	46.6/46.7
Power Factor:	0.95/0.5	0.95/0.5	0.95/0.9	0.95
Total Light Output (lm):	800/880	1,550/1,730	2,530/2,750	4,020/4,670
Total Emergency Light Output (lm):	NA	NA	NA	NA
Efficacy (lm/cctW):	82/92	79/90	87/96	86/100
Lux at 1m (lux):	340/370	710/780	1,110/1,200	1,660/1,900
Emergency Lux at 1m (lux):	NA	NA	NA	NA
CCT (K):	3000/4000	3000/4000	3000/4000	3000/4000
CRI:	80	80	80	80
IP:	20	20	20	20
Operation Temperature (°C):	-20 ≤ Ta ≤ +40	-20 ≤ Ta ≤ +40	-20 ≤ Ta ≤ +40	-20 ≤ Ta ≤ +40
Inrush Current:	17.8A/5us	20A/1us	5.6A/0.8us	40A/2us
RG Value:	0	0	0	0
SDCM:	6	6	6	6
Pst LM:	NA	NA	NA	NA
SVM:	NA	NA	NA	NA
Energy Class:	F	E	E	F
Rated Life to L70B50 (Hrs):	30000	30000	30000	30000
Dimensions ØxH (mm):	148x150x73/ 148x200x93	148x150x73/ 148x200x90	173x170x85/ 173x233x96	225x220x85
Weight (kg):	0.49/0.6	0.63/0.7	0.83/0.9	1.1
Separate Control Gear Information				
Type of Light Source:	LED	LED	LED	LED
Full Load Efficiency (%):	91	91	90	91
P _{NET} (W):	NA	NA	NA	NA
Dimensions (mm):	62x18x15	66x18x16	62x40x21	95x43x23

Product is certified to all the relevant standards.

Please contact our technical department for market specific compliances.

PLEASE NOTE: INFORMATION IN THIS DOCUMENT MAY BE SUBJECT TO CHANGE WITHOUT PRIOR NOTICE

IRE: TEL: +353 1 709 9000
UK: TEL: 0800 973 220
AUS: TEL: +61 7 3890 5444
NZ: TEL: +64 03 668 5285

WEB: ROBUS.COM
WEB: ROBUS.COM
WEB: ROBUS.COM.AU
WEB: ROBUSLED.CO.NZ

LED GROUP EUROPE · UK · AUSTRALIA · NEW ZEALAND · ASIA · MIDDLE EAST · AFRICA

REMY LED FLOOD LIGHT

10W, 20W, 30W, 50W, IP65

Cone Illuminance Diagram

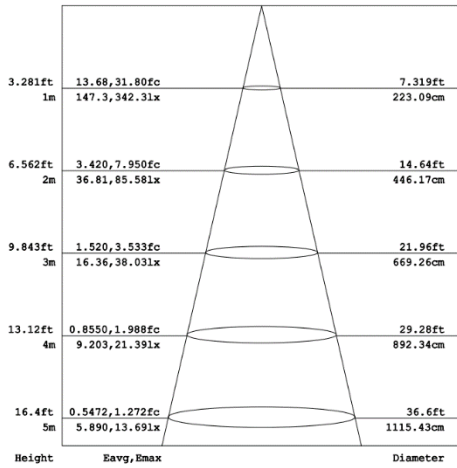
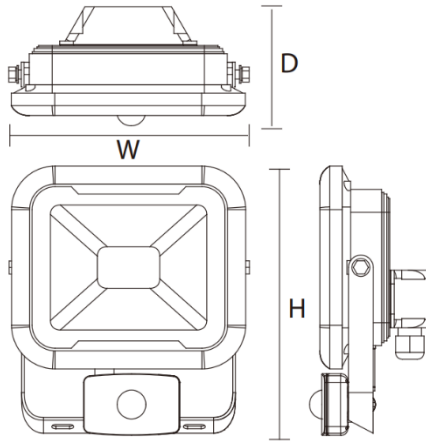


Diagram for RRE1030-04 in 3000K. Other diagrams available on request

Dimension Diagram



Sensor Data

Time Off Delay:	10s - 10min
Illuminance Switching Range:	10 - 2,000 lx
Sensitivity Range (%):	NA
Mounting Height (max):	2.4m
Detection Zone Diameter (max):	10m

Polar Intensity Diagram

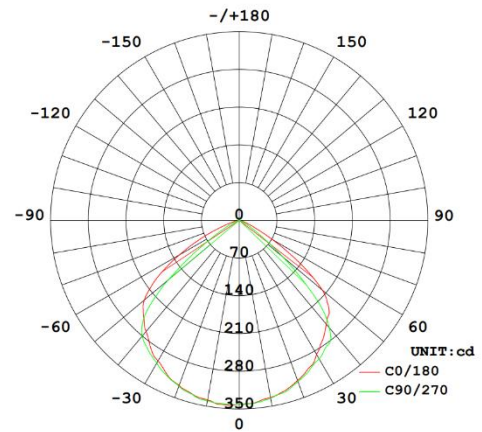


Diagram for RRE1030-04 in 3000K. Other diagrams available on request

Accessories

- RMCSPIKE-04 Garden spike attachment
- R10FSA-01 LED flood light signage arm, white
- R10FSA-04 LED flood light signage arm, black